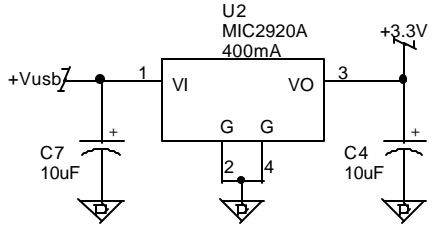
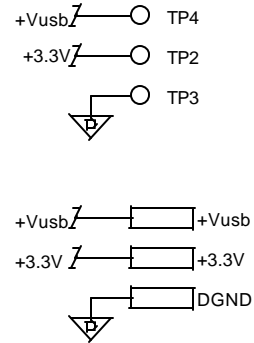
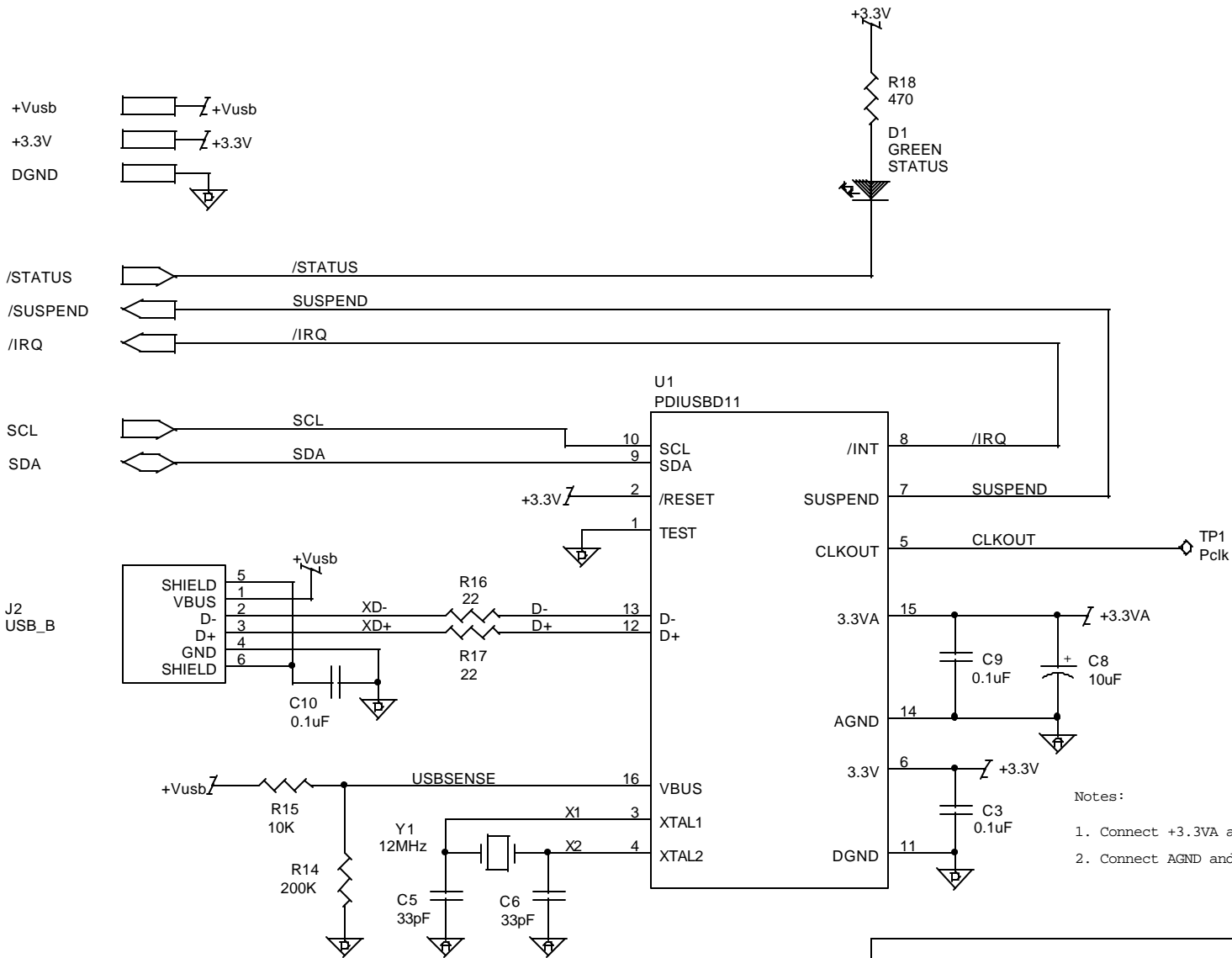


J1
PC LPT
DB25
MALE



DeVaSys USBLPT-PD11D		
Title USB D11 Development Board (dongle version)		
Size A	Document Number LPTPD11D\lpt.sch	Rev A
Date: Wednesday, May 23, 2001	Sheet 1	of 2



- Notes:
1. Connect +3.3VA and +3.3V at C8.
 2. Connect AGND and DGND at C8.

DeVaSys		
USBLPT-PD11D		
Title USB D11 Development Board (dongle version)		
Size A	Document Number LPTPD11/usbd11.sch	Rev A
Date: Wednesday, May 23, 2001	Sheet 2	of 2