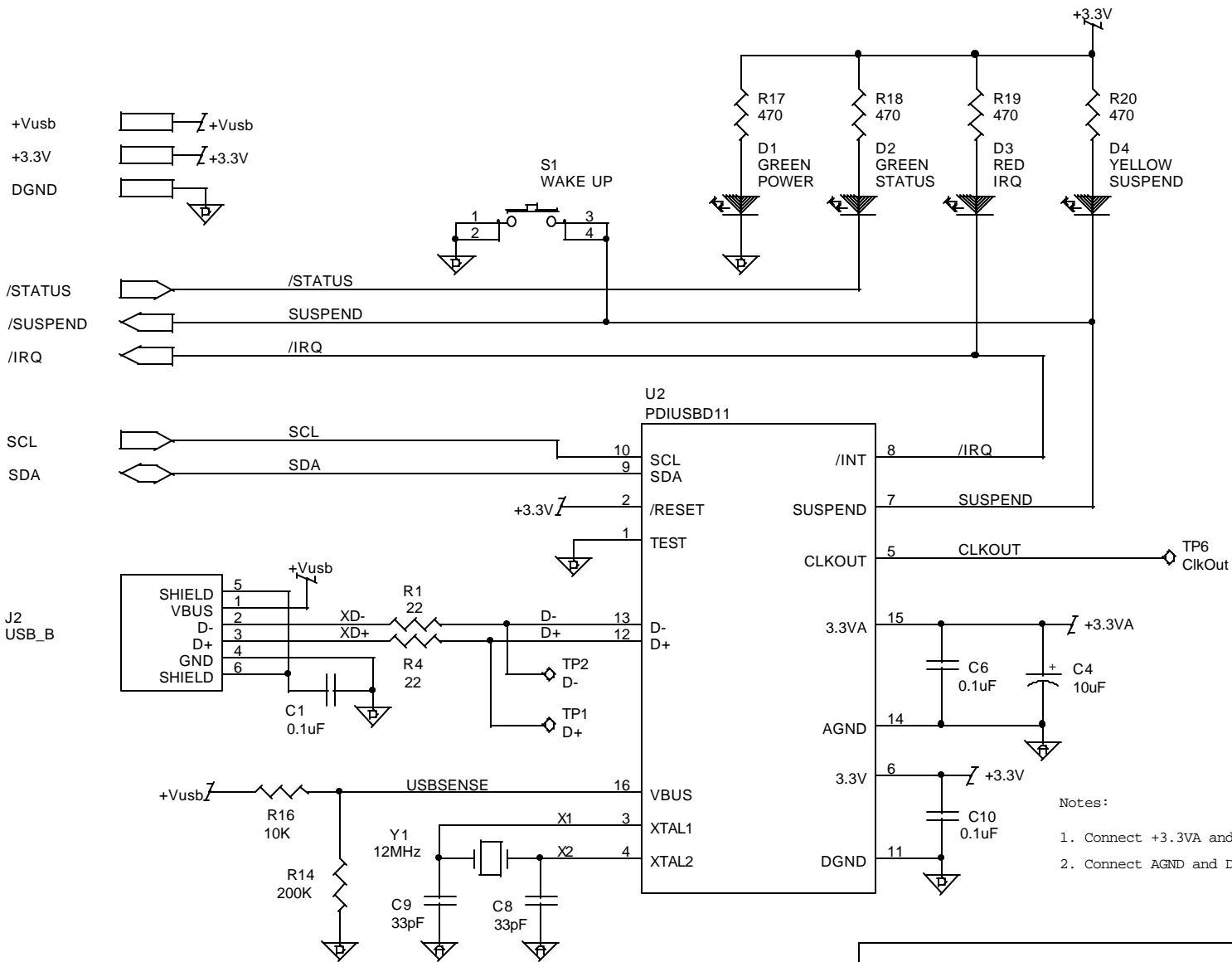


DeVaSys
USBLPT-PD11

Title		
LPT to I2C		
Size	Document Number	Rev
A	usb11.sch	A
Date:	Tuesday, May 29, 2001	Sheet 1 of 2



- Notes:
1. Connect +3.3VA and +3.3V at C7.
 2. Connect AGND and DGND at C7.

DeVaSys USBLPT-PD11		
Title I2C to USB		
Size A	Document Number usb11.sch	Rev A
Date: Tuesday, May 29, 2001	Sheet 2	of 2